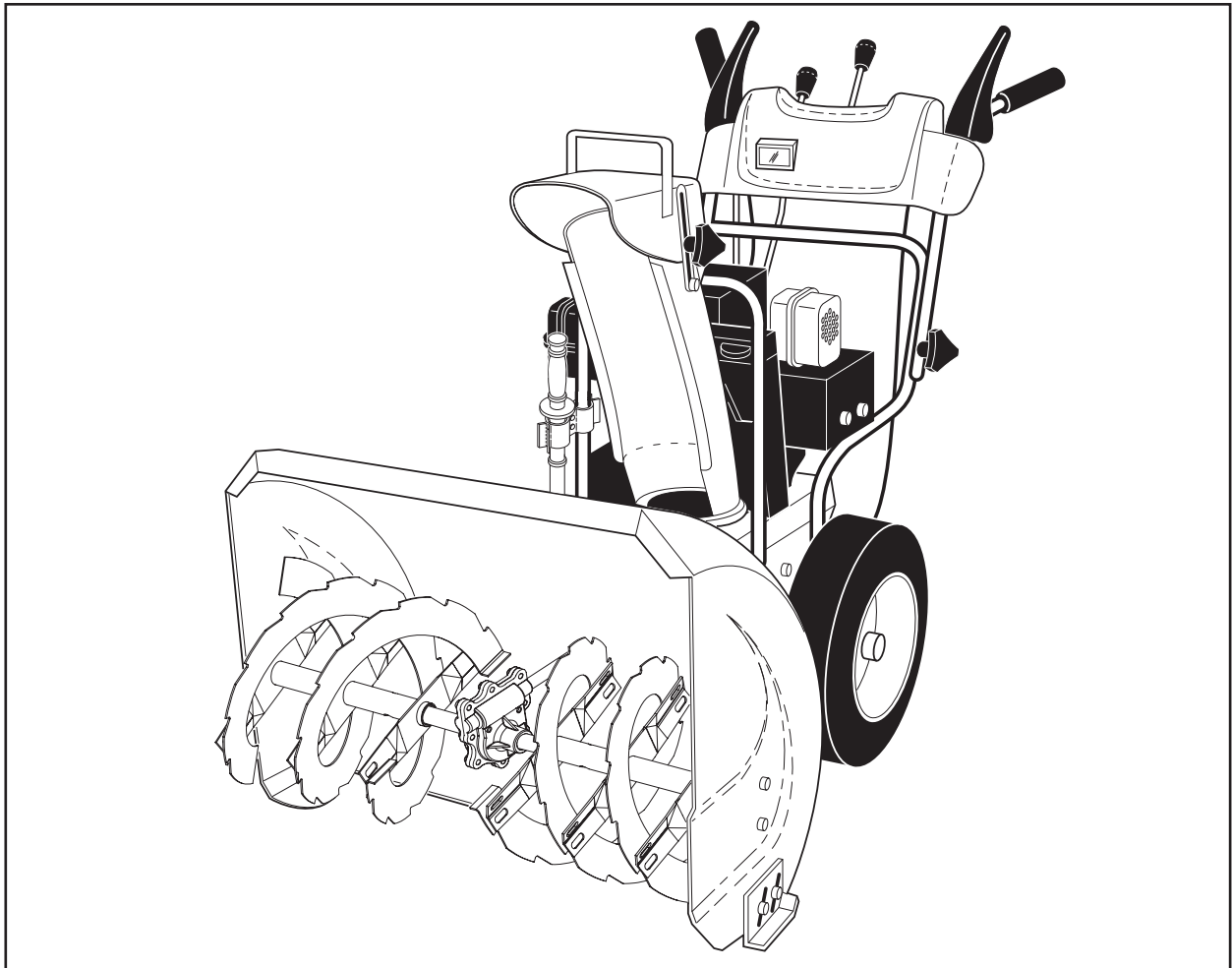


Husqvarna



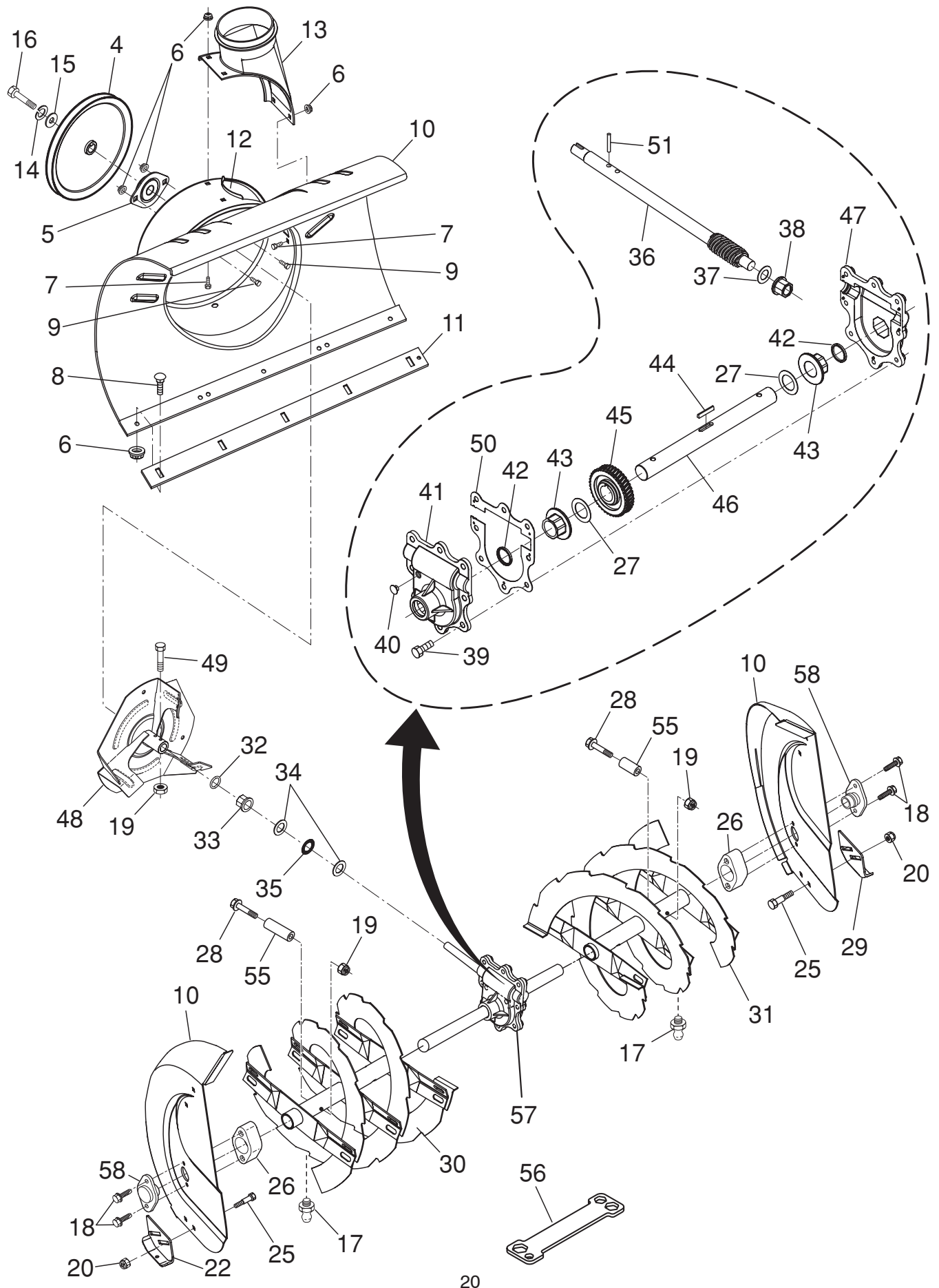
924SBE

Repair Parts Manual

REPAIR PARTS

AUGER HOUSING / IMPELLER ASSEMBLY

SNOW THROWER - MODEL NO. 924SBE (96193002201), PRODUCT NO. 961 93 00-22



REPAIR PARTS**AUGER HOUSING / IMPELLER ASSEMBLY****SNOW THROWER - MODEL NO. 924SBE (96193002201), PRODUCT NO. 961 93 00-22**

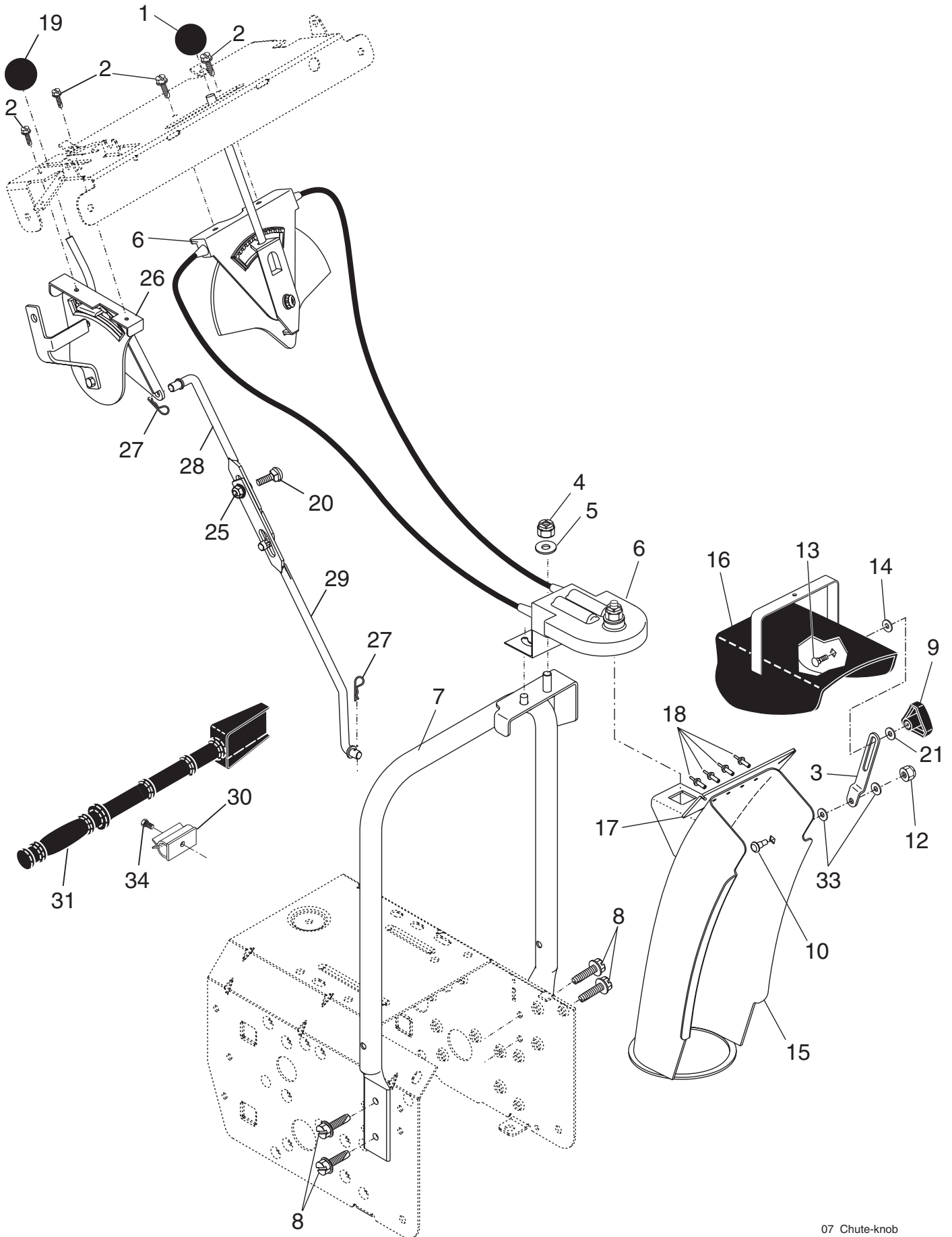
KEY PART NO. NO.	DESCRIPTION	KEY PART NO. NO.	DESCRIPTION
4 532 19 10-79	Pulley, Impeller	31 532 40 78-26	Auger Assembly, LH
5 532 18 89-09	Bearing Assembly, Flange	32 532 40 77-68	O-Ring
6 532 15 53-77	Nut, Hex Flange 5/16-18	33 532 40 77-69	Bushing, Flange 3/4
7 532 18 03-55	Bolt, Flat Head, Carriage 5/16-18x5/8	34 532 17 46-81	Washer, Thrust 3/4
8 872 27 05-05	Bolt, Carriage 5/16-1 8 x 5/8	35 532 17 46-84	Bearing, Thrust 3/4
9 532 16 31-83	Bolt	36 532 40 77-57	Shaft, Impeller
10 532 40 78-80	Housing, Auger	37 532 17 46-83	Washer, Thrust 5/8
11 532 40 78-25	Bar, Scraper	38 532 40 77-58	Bushing, Flange 5/8
12 532 18 40-95	Bracket, Corner Discharge	39 532 40 77-67	Screw, Hex Head 5/16-18 x 3/4
13 532 17 53-22	Base, Discharge Chute	40 532 40 77-60	Plug, Case
14 810 04 05-00	Washer, Lock 5/16	41 532 40 77-61	Housing, Gearbox, RH
15 819 11 15-07	Washer, Flat	42 532 40 77-70	Seal, Oil
16 874 94 05-16	Screw, Hex Head 5/16-18 x 3/4	43 532 40 77-62	Bushing, Flange, 1"
17 532 40 56-37	Grease Fitting	44 532 18 92-82	Key, Square 1/4 x 1/4 x 7/8
18 532 17 95-82	Screw, Hex Head 5/16 x 1	45 532 40 77-63	Gear, Worm
19 873 80 04-00	Nut, Hex Lock 1/4-20	46 532 40 77-64	Shaft, Auger
20 532 15 53-77	Nut, Hex Lock 5/16-18	47 532 40 77-65	Housing, Gearbox, LH
22 532 40 78-34	Skid Plate, Heavy Duty	48 532 18 41-05	Impeller Assembly
25 872 27 05-06	Bolt, Shoulder 1/4-20	49 874 78 04-26	Screw, Hex Head 1/4-20 x 1-5/8
26 532 18 81-70	Retainer, Plastic	50 532 40 77-66	Gasket, Gearbox
27 532 17 46-97	Washer, Thrust, 1"	51 532 18 42-05	Pin, Roll 3/16 x 1-1/8
28 532 19 86-36	Bolt, Shear	55 532 19 86-38	Spacer
29 532 40 78-34	Skid Plate, Heavy Duty	56 532 18 06-84	Multi-Wrench
30 532 40 78-27	Auger Assembly, RH	57 532 19 67-10	Gearbox Assembly
		58 532 18 79-25	Bearing, Auger

NOTE: All component dimensions given in U.S. inches. 1 inch = 25.4 mm
IMPORTANT: Use only Original Equipment Manufacturer (O.E.M.) replacement parts.
 Failure to do so could be hazardous, damage your snow thrower and void your warranty.

REPAIR PARTS

CONTROL PANEL / DISCHARGE CHUTE

SNOW THROWER - MODEL NO. 924SBE (96193002201), PRODUCT NO. 961 93 00-22



REPAIR PARTS

CONTROL PANEL / DISCHARGE CHUTE

SNOW THROWER - MODEL NO. **924SBE** (96193002201), PRODUCT NO. 961 93 00-22

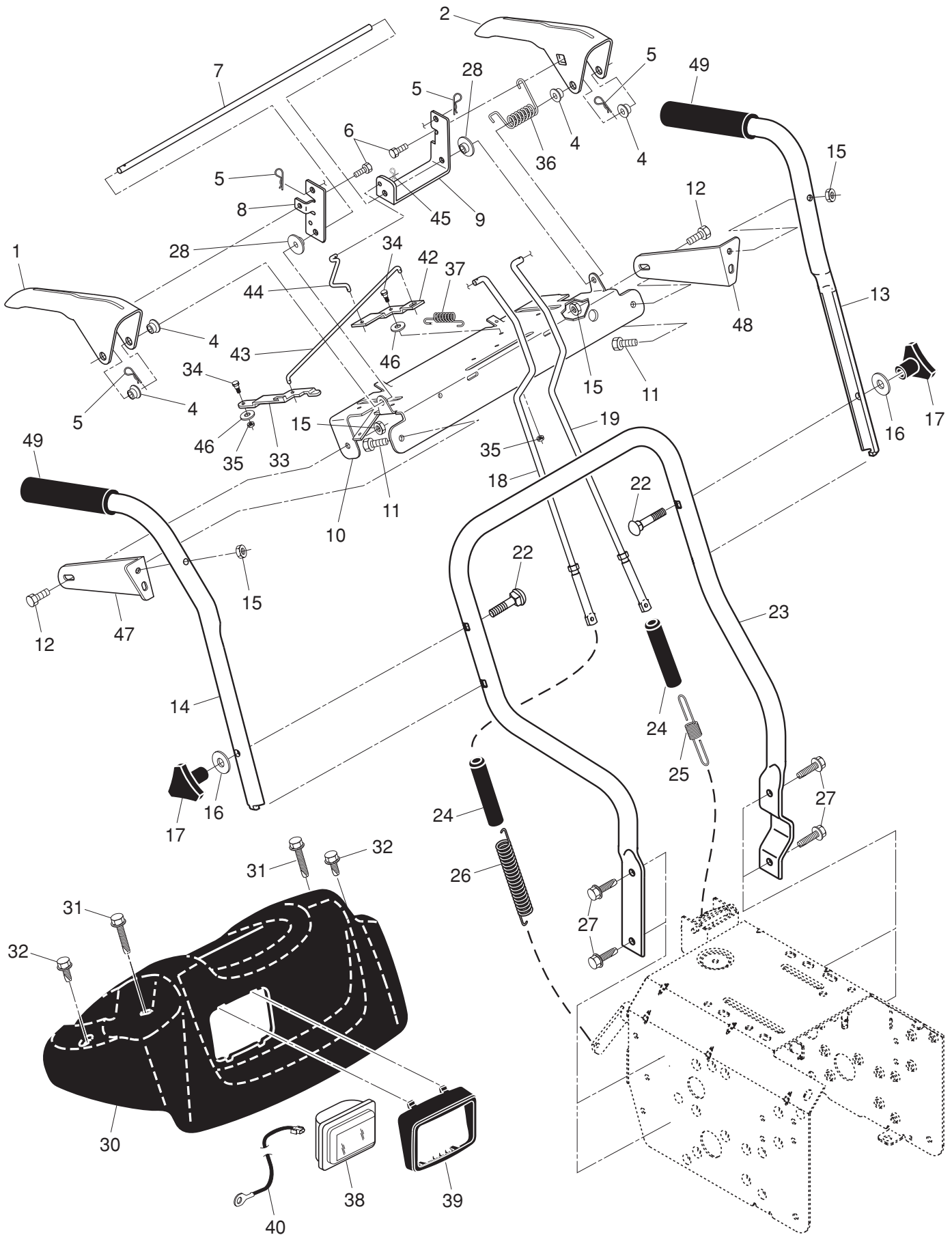
KEY NO.	PART NO.	DESCRIPTION
1	532 41 42-80	Knob, Lever
2	817 50 10-10	Screw #10-24 x 5/8
3	532 18 41-14	Strap, Slotted
4	873 80 06-00	Nut, Lock 3/8-16
5	819 13 13-16	Washer, Flat 3/8
6	532 40 49-74	Control Assembly, Chute Rotater
7	532 40 76-43	Support, Pivot
8	532 15 00-78	Screw, Hex Head 5/16-18 x 3/4
9	532 19 19-38	Knob, Deflector
10	532 18 56-00	Bolt, Shoulder
12	532 19 17-30	Nut, Lock 1/4-20
13	872 27 05-05	Bolt, Carriage 5/16-18
14	532 17 92-46	Washer, Nylon, Friction
15	532 40 76-50	Chute Assembly
16	532 18 41-13	Deflector Assembly
17	532 17 91-45	Seal, Deflector
18	532 12 84-15	Rivet, Blind
19	532 41 42-81	Knob, Speed Control Lever
20	532 19 86-48	Bolt, Carriage 5/16-18 x 3/4
21	532 15 54-15	Washer, Flat 5/16
25	532 15 53-77	Nut, Lock 5/16-18
26	532 19 84-74	Lever Assembly, Speed Control
27	532 16 96-75	Retainer, Hairpin
28	532 18 04-45	Rod, Upper, Speed Control
29	532 18 77-16	Rod, Lower, Speed Control
30	532 40 54-00	Clamp, Clean-Out Tool
31	532 19 21-99	Tool, Clean-Out
33	532 17 92-46	Washer, Nylon, Friction
34	532 19 41-89	Screw, Hi-Lo Thread

NOTE: All component dimensions given in U.S. inches. 1 inch = 25.4 mm
IMPORTANT: Use only Original Equipment Manufacturer (O.E.M.) replacement parts.
Failure to do so could be hazardous, damage your snow thrower and void your warranty.

REPAIR PARTS

HANDLES

SNOW THROWER - MODEL NO. 924SBE (96193002201), PRODUCT NO. 961 93 00-22



REPAIR PARTS**HANDLES****SNOW THROWER - MODEL NO. 924SBE (96193002201), PRODUCT NO. 961 93 00-22**

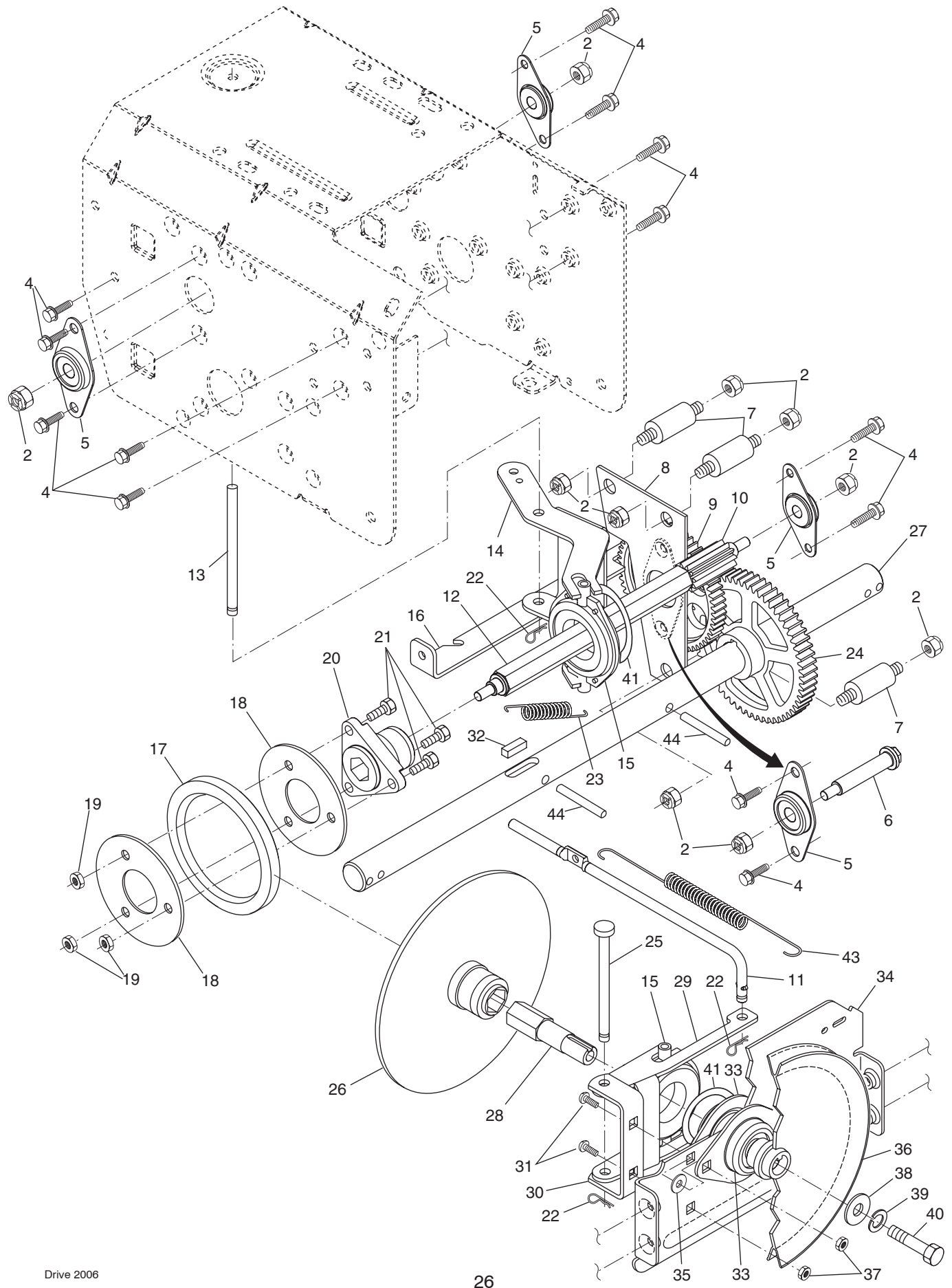
KEY NO.	PART NO.	DESCRIPTION
1	532 40 76-49	Lever, Auger Control, RH
2	532 40 76-48	Lever, Traction Drive Control, LH
4	532 17 88-88	Bushing, Flange
5	532 16 96-75	Retainer, Hairpin
6	817 06 04-08	Screw, Hex Head
7	532 17 86-52	Rod, Interlock
8	532 19 95-76	Arm, Impeller Rod
9	532 19 95-75	Arm, Traction Rod
10	532 19 95-31	Panel, Control
11	874 78 05-24	Screw, Hex Head 5/16-18 x 1-1/2
12	874 78 05-12	Screw, Hex Head 5/16-18 x 1-3/4
13	532 41 52-36	Handle Tube, LH
14	532 41 52-37	Handle Tube, RH
15	532 75 11-53	Nut, Lock 5/16-18
16	819 13 13-16	Washer, Flat 3/8
17	532 17 88-99	Knob, Handle
18	532 18 04-80	Rod, Auger Control
19	532 18 04-81	Rod, Traction Control
22	872 12 06-18	Bolt, Carriage 3/8-16 x 2-1/4
23	532 18 40-87	Handle Tube, Lower
24	532 18 04-47	Sleeve, Spring
25	532 18 09-26	Spring, Traction Drive
26	532 17 86-69	Spring, Auger Control
27	817 00 06-16	Screw, Hex Head 3/8-16 x 1
28	532 41 26-80	Spacer, Control Lever
30	532 18 33-46	Console, Panel
31	532 17 52-62	Screw, Hex Head, Tapping #10-24 x 1-1/4
32	532 18 44-71	Screw, Hex Head, Tapping #10-24 x 1/2
33	532 19 95-77	Latch, Interlock
34	532 40 13-69	Bolt, Shoulder
35	532 06 80-38	Nut, Lock 1/4-20
36	532 17 88-31	Spring, Torsion
37	532 19 38-85	Spring, Interlock
38	532 18 09-27	Headlight, Flood (Includes Bulb)
39	532 17 86-68	Bezel, Headlight
40	532 17 87-70	Harness, Headlight (Flood)
42	532 19 95-78	Lever, Interlock
43	532 19 96-38	Rod, Latch, Interlock
44	532 19 63-38	Rod, Arm, Interlock
45	532 70 02-79	Clip
46	532 05 70-79	Washer, Friction
47	532 19 69-43	Mounting Bracket, Handle, RH
48	532 19 69-44	Mounting Bracket, Handle, LH
49	532 19 95-13	Grip, Handle

NOTE: All component dimensions given in U.S. inches. 1 inch = 25.4 mm
IMPORTANT: Use only Original Equipment Manufacturer (O.E.M.) replacement parts.
 Failure to do so could be hazardous, damage your snow thrower and void your warranty.

REPAIR PARTS

DRIVE

SNOW THROWER - MODEL NO. 924SBE (96193002201), PRODUCT NO. 961 93 00-22



REPAIR PARTS**DRIVE****SNOW THROWER - MODEL NO. 924SBE (96193002201), PRODUCT NO. 961 93 00-22**

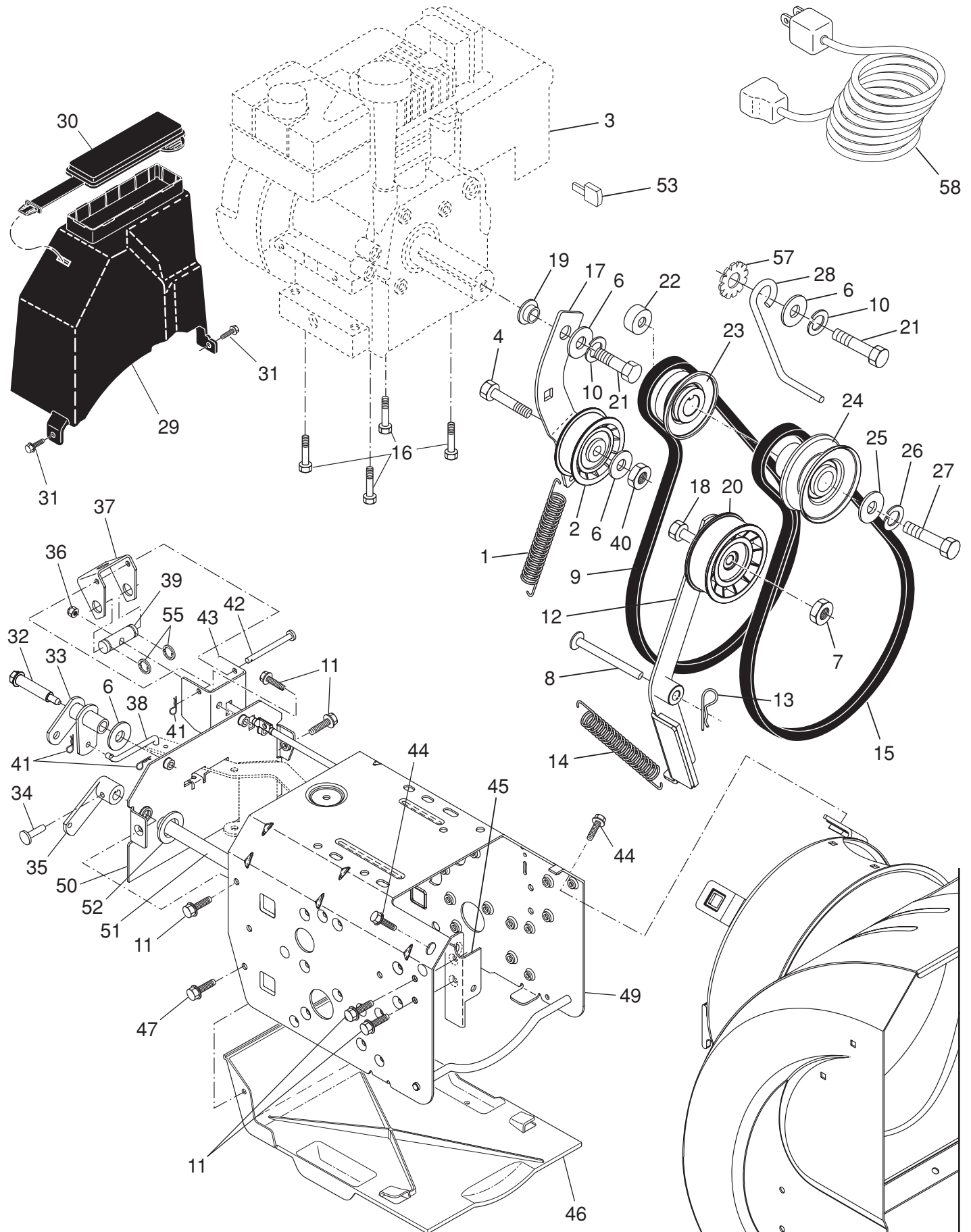
KEY NO.	PART NO.	DESCRIPTION
2	532 75 11-53	Nut, Lock 5/16-18
4	817 49 05-08	Screw, Hex Head 5/16-18 x 1/2
5	532 18 00-17	Bearing, Flange
6	532 18 01-34	Shaft, Auxiliary
7	532 17 92-70	Spacer, Plate
8	532 19 29-07	Plate, Auxiliary
9	532 18 00-82	Gear, Intermediate (12/58)
10	532 18 00-65	Gear, Pinion
11	532 18 77-14	Rod, Clutch
12	532 18 00-66	Shaft, Long, Hex
13	532 17 88-07	Pin, Pivot
14	532 18 40-80	Lever, Shifter / Wheel
15	532 17 53-44	Trunnion Bearing Assembly
16	532 18 78-57	Bracket, Pivot, Shift
17	532 17 98-31	Ring, Rubber Wheel
18	532 19 95-09	Plate, Rubber Wheel
19	873 93 05-00	Nut, Lock 5/16-18
20	532 17 86-13	Hub, Rubber Wheel
21	874 76 05-14	Screw, Hex Head 5/16-18 x 7/8
22	532 08 51-79	Retainer, Hairpin
23	532 18 01-35	Spring, Bias
24	532 18 00-81	Gear, Axle (58 Teeth)
25	532 17 86-95	Pin, Pivot Lever
26	532 19 77-63	Plate Assembly, Drive
27	532 17 93-52	Shaft, Axle
28	532 19 77-64	Shaft, Short Hex
29	532 18 40-77	Lever, Shifter Plate
30	532 18 40-76	Bracket, Shifter Support
31	872 27 05-05	Bolt, Carriage 5/16-18 x 5/8
32	532 18 92-82	Key, Square 1/4 x 1/4 x 7/8
33	532 18 89-09	Bearing, Flange
34	532 18 40-75	Plate, Drive Mounting
35	532 18 25-04	Spacer, Bearing
36	532 19 10-80	Pulley, Traction Drive
37	532 15 53-77	Nut, Lock 5/16-18
38	819 11 15-07	Washer, Flat
39	810 04 05-00	Washer, Lock 5/16
40	874 95 05-12	Screw, Hex Head 5/16-18 x 3/4
41	812 00 00-12	Ring, Retaining
43	532 17 90-95	Spring, Return
44	532 18 42-06	Pin, Roll

NOTE: All component dimensions given in U.S. inches. 1 inch = 25.4 mm
IMPORTANT: Use only Original Equipment Manufacturer (O.E.M.) replacement parts.
 Failure to do so could be hazardous, damage your snow thrower and void your warranty.

REPAIR PARTS

CHASSIS / ENGINE / PULLEYS

SNOW THROWER - MODEL NO. 924SBE (96193002201), PRODUCT NO. 961 93 00-22



REPAIR PARTS**CHASSIS / ENGINE / PULLEYS****SNOW THROWER - MODEL NO. 924SBE (96193002201), PRODUCT NO. 961 93 00-22**

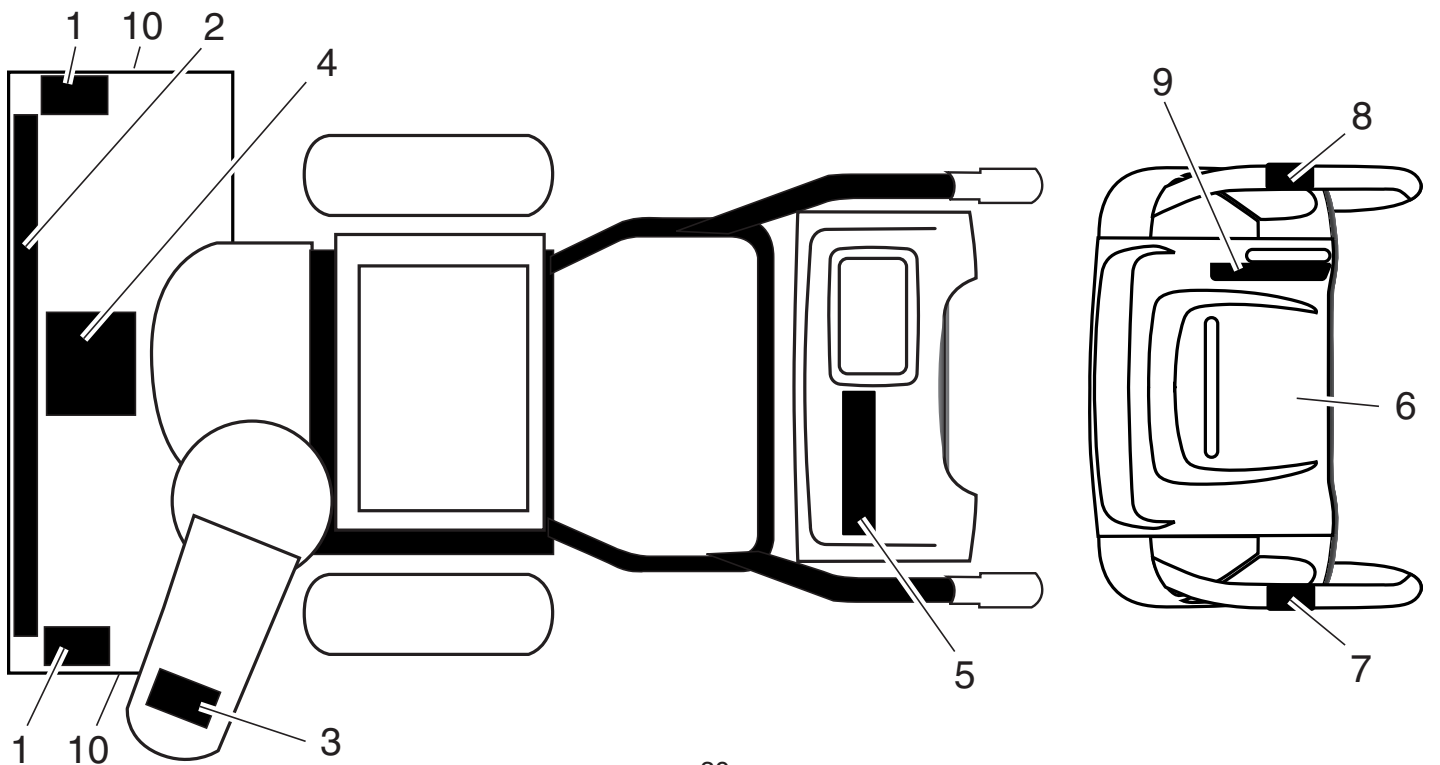
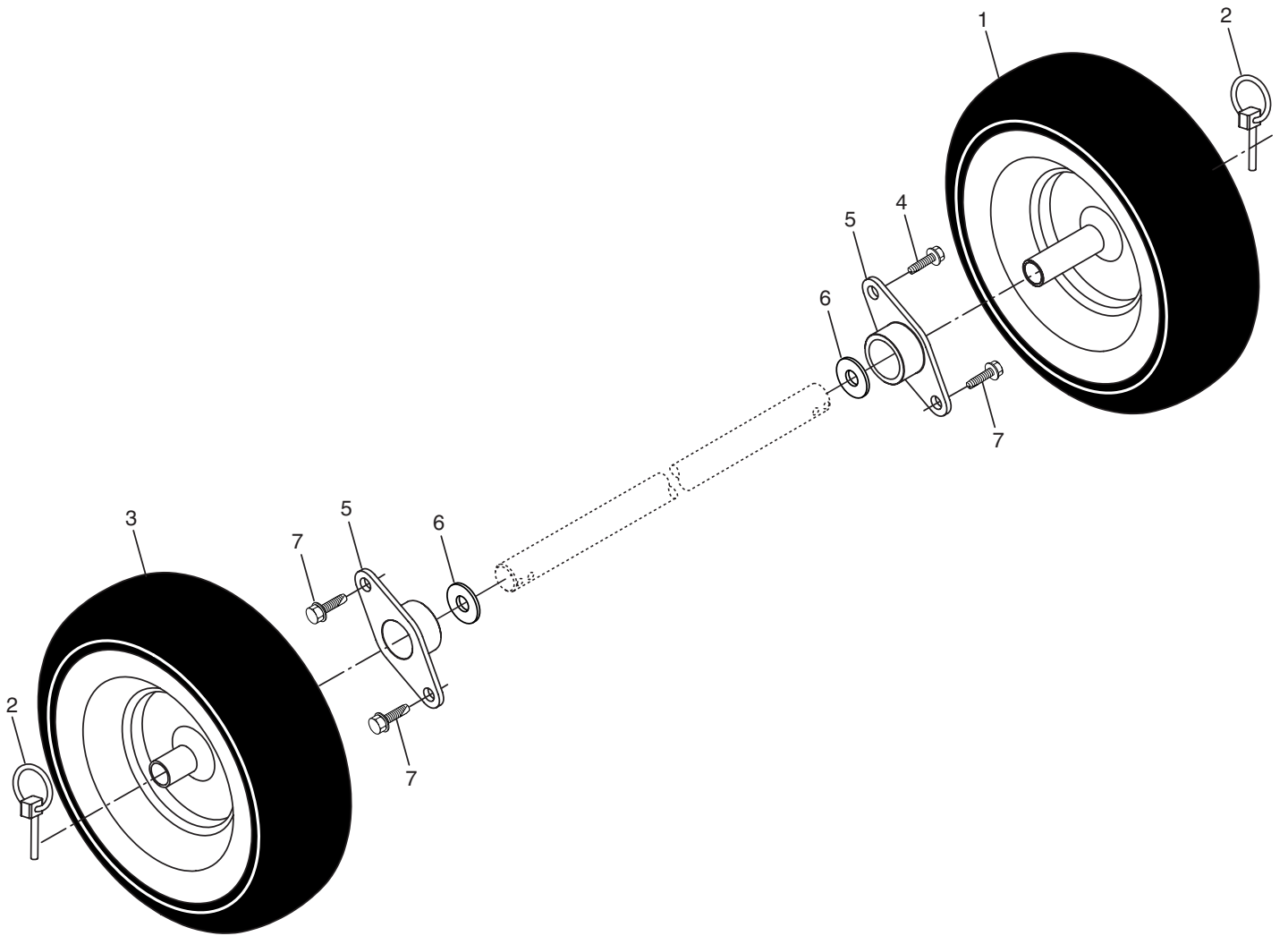
KEY PART NO.	PART NO.	DESCRIPTION	KEY PART NO.	PART NO.	DESCRIPTION
1	532 18 10-44	Spring, Traction Idler	28	532 15 54-52	Guide, Belt
2	532 18 05-22	Pulley, Idler (2-1/4)	29	532 19 22-13	Belt Cover Assembly (Includes Toolbox Cover)
3	---	Engine, Tecumseh, Model Number LH318SA (For engine service and replacement parts, call Tecumseh Products at 1-800-558-5402)	30	532 17 88-30	Cover, Toolbox
4	874 78 05-20	Screw, Hex Head 5/16-18 x 1-1/4	31	817 49 04-08	Screw, Hex Head 1/4-20 x 1/2
6	532 05 92-89	Washer, Flat	32	532 17 92-56	Bolt, Shoulder 5/16-18
7	532 16 67-85	Nut, Jam, Lock 5/16-18	33	532 18 78-53	Bellcrank Shifter
8	532 17 53-30	Pin, Idler Pivot	34	532 19 85-80	Clevis Pin
9	532 17 90-92	V-Belt, Traction Drive	35	532 40 54-85	Arm, Auger Control
10	810 04 05-00	Washer, Lock 5/16	36	873 80 05-00	Nut, Lock 5/16-18
11	817 49 05-08	Screw, Hex Head 5/16-18 x 1/2	37	532 18 40-86	Bellcrank
12	532 41 04-20	Impeller Arm / Pad Assembly	38	532 18 71-01	Link, Speed Control
13	532 08 51-79	Retainer, Hairpin	39	532 19 21-10	Trunnion, Pivot Bracket
14	532 17 88-28	Spring, Brake	40	873 93 05-00	Locknut, Hex
15	532 40 80-10	V-Belt, Impeller Drive	41	532 70 02-79	Hairpin, Cotter 3/32 x 1/2
16	532 15 04-06	Screw, Hex Head 3/8-16 x 1-1/4	42	532 17 90-65	Pin, Bellcrank
17	532 17 95-21	Arm, Idler	43	532 18 40-85	Bracket, Bellcrank
18	874 78 05-24	Screw, Hex Head 5/16-18 x 1-1/2	44	817 00 06-16	Screw, Hex Head
19	532 17 53-31	Bushing, Idler Pivot	45	532 18 40-74	Pivot Bracket, Impeller Idler Arm
20	532 18 05-23	Pulley, Idler (2-3/4)	46	532 41 08-77	Pan, Frame Bottom
21	874 61 05-16	Screw, Hex Head 5/16-18 x 1	47	532 18 44-71	Screw, Shoulder #10-24
22	532 40 94-75	Spacer, Engine Pulley	49	532 41 61-55	Frame Assembly
23	532 18 04-78	Pulley, Engine, Traction Drive	50	532 18 80-02	Plate, Frame End
24	532 17 91-57	Pulley, Engine, Impeller Drive	51	532 40 61-09	Shaft, Auger Control
25	532 40 00-26	Washer, Flat 3/8	52	532 05 70-79	Washer, Hardened
26	532 85 02-63	Washer, Lock, Helical 3/8	53	532 03 50-62	Key, Safety
27	532 85 10-84	Screw, Hex Head 3/8-24 x 1-3/8	55	812 00 00-02	Ring, Crescent
			57	811 05 05-00	Washer, Lock, External Tooth 5/16
			58	532 19 85-63	Power Cord

NOTE: All component dimensions given in U.S. inches. 1 inch = 25.4 mm
IMPORTANT: Use only Original Equipment Manufacturer (O.E.M.) replacement parts.
 Failure to do so could be hazardous, damage your snow thrower and void your warranty.

REPAIR PARTS

WHEELS / DECALS

SNOW THROWER - MODEL NO. 924SBE (96193002201), PRODUCT NO. 961 93 00-22



REPAIR PARTS

WHEELS / DECALS

SNOW THROWER - MODEL NO. **924SBE** (96193002201), PRODUCT NO. 961 93 00-22

KEY NO.	PART NO.	DESCRIPTION
1	532 40 78-14	Wheel Assembly, 16", LH
2	532 15 54-43	Pin, Klik 1/4
3	532 40 78-22	Wheel Assembly, 16", RH
4	532 14 63-15	Screw, Hex Head 5/16-18 x 5/8
5	532 17 98-30	Bearing, Axle
6	532 17 46-97	Washer, Thrust (1")
7	817 49 05-08	Screw, Hex Head 5/16-18 x 3/4

KEY NO.	PART NO.	DESCRIPTION
1	532 18 10-37	Decal, Danger
2	532 41 52-46	Decal, Husqvarna
3	532 18 10-35	Decal, Danger, Deflector
4	532 18 10-42	Decal, Danger
5	532 41 52-47	Decal, Husqvarna, 924SBE
6	532 18 10-33	Decal, Instruction
7	532 41 53-91	Decal, Traction Lever
8	532 41 53-90	Decal, Auger Lever
9	532 41 54-75	Decal, Speed Control
10	532 15 57-94	Decal, Husqvarna, Crown
--	532 41 51-33	Owner's Manual, English
--	532 41 51-34	Owner's Manual, French

NOTE: All component dimensions given in U.S. inches. 1 inch = 25.4 mm
IMPORTANT: Use only Original Equipment Manufacturer (O.E.M.) replacement parts.
Failure to do so could be hazardous, damage your snow thrower and void your warranty.